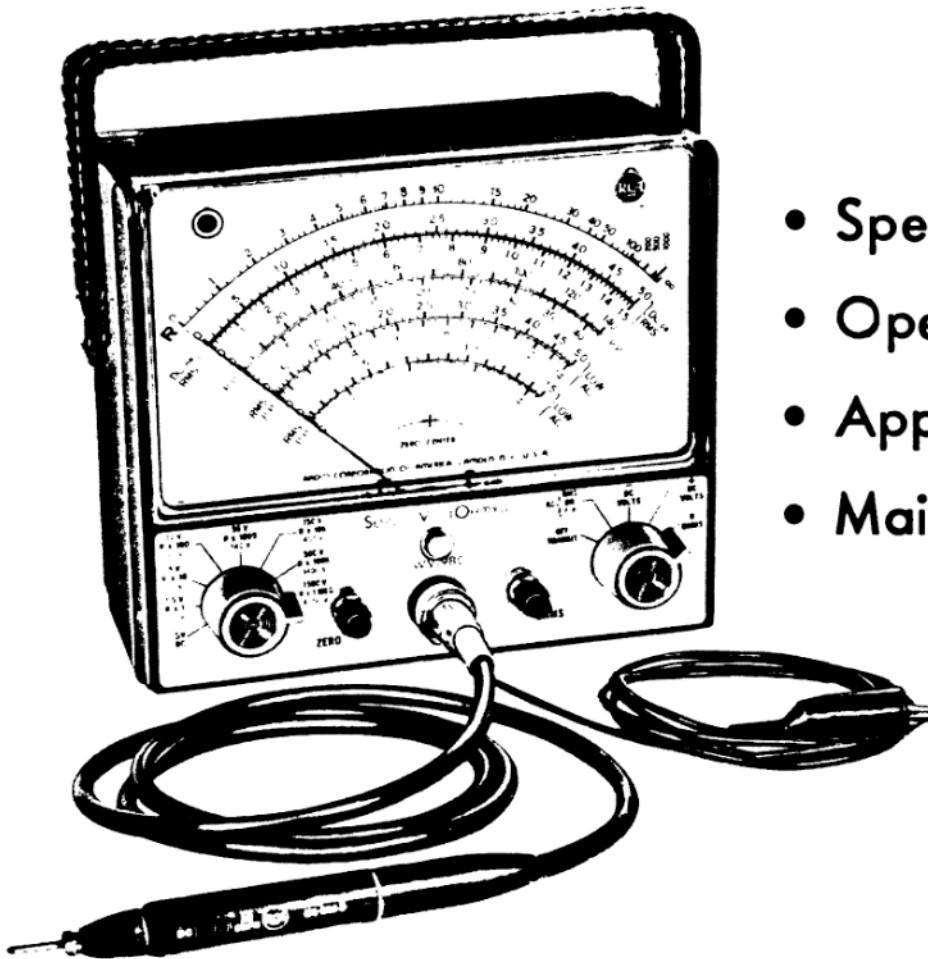


PRICE FIFTY CENTS

# RCA SENIOR VOLTOHMYST®

Type WV-98C



- Specifications
- Operation
- Applications
- Maintenance



**RADIO CORPORATION of AMERICA**  
ELECTRONIC COMPONENTS AND DEVICES  
DISTRIBUTOR PRODUCTS HARRISON, N. J.

## ITEMS

### Supplied with the WV-98C

1 DC/AC-OHMS Probe and Cable . . . . Type WG-299D  
1 1.5-Volt Battery . . . . . Type VSO36  
1 Slip-on Alligator Clip . . . . . 1 Insulator  
1 RCA-6AL5 Tube . . . . . 1 RCA-12AU7A Tube  
1 Instruction Booklet for WV-98C  
1 Registration Card

## ACCESSORIES

### Available on Separate Order

For measuring AC Voltages at Frequencies from 50 Kc to 250 Mc:

Crystal-Diode Probe . . . . . Type WG-301A

For increasing DC Voltage to 50,000 Volts:

High-Voltage Probe . . . . . Type WG-289

Multiplier Resistor . . . . . Type WG-206

### Note

The types WG-299A, WG-299B, WG-299C, and WG-299D DC/AC-OHMS Probe and Cables can be used interchangeably with the WV-98C.

Information furnished by RCA is believed to be accurate and reliable. However, no responsibility is assumed by RCA for its use; nor for any infringements of patents or other rights of third parties which may result from its use. No license is granted by implication or otherwise under any patent or patent rights of RCA.

# Senior VoltOhmyst

## Type WV-98C

### Contents

	<i>Page</i>
Items supplied with WV-98C .....	2
Accessories available on separate order .....	2
Safety precautions .....	4
General description .....	5
Specifications .....	6
Functions of controls .....	8
Operation and application .....	8
Use of range switch and meter scales .....	9
DC-voltage measurements .....	12
Resistance measurements .....	13
AC-voltage measurements .....	15
Replacement Parts List .....	20
Special Applications .....	21
Accessories .....	23
Circuit Description .....	25
Maintenance .....	26

### Illustrations

<i>Figure No.</i>		<i>Page</i>
1	WV-98C meter scales .....	10
2	Circuit for resistance measurements above 1000 megohms .....	13
3	Typical television waveforms .....	14
4	Typical voltage waveforms .....	15
5	Schematic diagram of the WV-98C .....	16
6	Foil side of laminated board .....	17
7	Pulse response capability of the WV-98C .....	18
8	Graph for conversion of rms voltages to dbm values .....	23
9	Accessories available on separate order .....	24

## Safety Precautions

For proper operation, the ground lead of this instrument must be connected to the equipment under test. The WG-299D DC/AC-OHMS Probe and Cable has a shield throughout its entire length which is connected to the instrument ground. Always handle the WG-299D by the insulated probe housing.

An important point to remember is that there is always danger inherent in testing electrical equipment which operates at hazardous voltages. Therefore, the operator should thoroughly familiarize himself with the equipment under test before working on it, bearing in mind that high voltages may appear at unexpected points in defective equipment. Additional precautions which experience in the industry has shown to be important are listed below.

1. It is good practice to remove power before connecting test leads to high-voltage points. If this is impractical, be *especially careful* to avoid accidental contact with equipment racks and other objects which can provide a ground. Working with one hand in your pocket and standing on a properly insulated floor lessens the danger of shock.

2. Filter capacitors may store a charge large enough to be hazardous. Therefore, discharge filter capacitors before attaching test leads.

3. Remember that leads with broken insulation provide the additional hazard of high voltages appearing at exposed points along the leads. Check test leads for frayed or broken insulation before working with them.

4. To lessen the danger of accidental shock, disconnect test leads immediately after test is completed.

5. Remember that the risk of severe shock is only one of the possible hazards. Even a minor shock can place the operator in hazard of more serious risks such as a bad fall or contact with a source of higher voltage.

6. The experienced operator continuously guards against injury and does not work on hazardous circuits unless another person is available to assist in case of accident.

## General Description

The WV-98C Senior VoltOhmyst<sup>®</sup> is an all electronic voltmeter designed to measure dc voltages, resistance, rms values of sine waves, and peak-to-peak values of complex waves. RMS ac and dc voltages up to 1500 volts may be measured with an accuracy of  $\pm 3\%$  of full scale. Seven voltage ranges are provided for RMS ac operation, while eight ranges are provided for dc measurement, including a 0 to .5 volt range. Resistance values up to 1000 megohms, and complex waveforms having peak-to-peak values up to 4200 volts may also be measured. All measurements are made on a  $6\frac{1}{2}$  inch electronically protected meter.

An input resistance of 11 megohms on all dc-voltage ranges allows the WV-98C to be used in circuits where instruments with a lower impedance would result in loading of the circuit under test and a resultant error in reading the operating voltage. The 11-megohm input resistance also has the advantage of not being so high as to impair the stability of the instrument.

Calibration of the Senior VoltOhmyst in peak-to-peak voltage values as well as rms voltage values is a desirable feature for applications such as television, radar, and other pulsed electronic systems where complex waveforms are encountered. Because the meter reading is proportional to the full peak-to-peak value of the waveform, a better indication of the true value of the voltage is given than is possible with voltmeters which respond only to the positive or negative peak of the waveshape. Peak-to-peak voltage values are measured directly on separate meter scales.

When used to measure resistance, the WV-98C will read from 0.2 ohm to 1000 megohms in seven ranges. Convenient mid-scale values are set at 10, 100, 1000, 10,000, and 1000,000 ohms and at 1 and 10 megohms.

All measurements are made with a new single-unit probe, the WG-299D DC/AC-OHMS Probe and Cable. The probe is quickly adapted to either dc measurements, or ac and resistance measurements by means of a built-in switch. The fixed ground lead of the WV-98C insures good connection to the circuit under test.

The WV-98C is housed in a smartly-styled diecast aluminum case. The lightweight probe and cable supplied with the WV-98C has been designed to match the mechanical and electrical characteristics of the instrument.

---

<sup>®</sup> Trade Mark "VoltOhmyst" Reg. U. S. Pat. Off.

## **RCA Senior VoltOhmyst**

Additional features of the WV-98C include provisions for zero-centering of the meter pointer, a useful feature for checking FM discriminator alignment; two separate scales for low-voltage ac measurements; a pilot light; and circuit design which permits measurements of the ac component of a dc voltage or the dc component of an ac signal. Circuit design also prevents any dc-loading effect when the WV-98C is used to measure ac voltages.

For measurement of ac voltages at frequencies up to 250 megacycles, the auxiliary WG-301A Crystal-Diode Probe may be used. The WG-301A slips on the front end of the WG-299D to form a sturdy, insulated rf probe without the addition of an extra cable.

For measuring dc voltages up to 50,000 volts, the WG-289 High Voltage Probe may be used. The WG-289 attaches directly to the WV-98C input connector.

The RCA WV-98C Senior VoltOhmyst is a versatile instrument, designed to give quality performance. A reliable measuring device, it enables the user to make a wide variety of accurate electrical measurements in many kinds of electrical equipment.

### **Specifications**

#### **Electrical**

NOTE: Performance figures are for line voltage of 120 volts, 60 cps.

##### **DC Voltmeter:**

Ranges.....0 to .5, 1.5, 5, 15, 50, 150, 500, 1500 volts  
Input Resistance (With switch on WG-299D set to "DC"):  
All Ranges .....11 Megohms  
Over-all Accuracy .....±3% of full scale

##### **AC Voltmeter:**

Ranges:  
RMS Values of Sine Waves.....0 to 1.5, 5, 15, 50, 150, 500, 1500 volts  
Peak-to-Peak Values of Sine Waves and Complex Waves.....0 to 4, 14, 42,  
140, 420, 1400, 4200 volts  
Over-all Accuracy .....±3% of full scale  
(Accuracy of RMS ranges based on use of sine wave signals having less than ½ of 1.0% total harmonic content.)  
Input Resistance and Capacitance  
(With switch on WG-299D set to "AC-OHMS"):  
1.5, 5, 50, 150-V Ranges.....0.83 meg, shunted by 70 μμf  
500-V Range ..... 1.3 meg, shunted by 60 μμf  
1500-V Range ..... 1.5 meg, shunted by 60 μμf  
Frequency Response  
(1.5 and 5.0V AC Ranges).....±1 db 30 cps to 3 Mc

---

---

## RCA Senior VoltOhmyst

---

---

### Maximum Input Voltages:

DC Voltages with no ac voltage present: .....	1500 volts
AC Voltages with no dc voltage present:	
RMS for Sine Waves .....	1500 volts
Peak-to-Peak for Sine Waves .....	4200 volts
Peak-to-Peak for Complex Waves .....	2000 volts
Combined AC and DC Voltages:	
Sum of DC Voltage and AC Peak Voltage .....	2000 volts

### Ohmmeter:

Ranges, Seven .....	0 to 1000 megohms
---------------------	-------------------

### Meter Movement:

DC Current for Full-Scale Deflection .....	200 $\mu$ amperes
--	-------------------

### Power Supply:

Voltage Rating .....	110-130 volts
Frequency Rating .....	50/60 cps
Power Consumption (Approx.) .....	6 watts
Battery (1.5-volt cell) .....	1 RCA-VSO36

Tube Complement: ..... 1 RCA-6AL5, 1 RCA-12AU7A

## Mechanical

### Over-all Dimensions:

Height .....	6 $\frac{1}{2}$ inches
Width .....	7 inches
Depth .....	3 $\frac{1}{2}$ inches

Weight: ..... 6 pounds

Finish: ..... Blue-gray hammeroid case—satin aluminum panel

---

## Functions of Controls

**FUNCTION SELECTOR** – Applies power to the instrument when this control is turned clockwise from the “OFF-TRANSIT” position and selects the measurement function of the instrument. When this switch is set to the “OFF-TRANSIT” position, power is removed and, a short is placed across the meter terminals to lock meter pointer electrically in the zero position, thereby reducing the possibility of damage to the meter movement when the instrument is being transported.

**RANGE SELECTOR** – Selects the voltage range or the resistance range on which the measurement is to be made.

**ZERO control** – Used to position the meter pointer at either the left-hand “0” position or, when function selector is set to “+DC VOLTS”, to the zero-center “0” position.

**OHMS control** – Used to position the meter pointer at the extreme right line on the “R” scale when the function selector is set to “R OHMS”.

## Operation and Application

### Use of WG-299D Probe and Cable:

The WG-299D DC/AC-OHMS Probe and Cable, supplied with the WV-98C, is constructed as a single-unit probe and cable and is equipped with a sliding switch in the probe body to permit changing the probe characteristics to suit the type of measurement being made. When the sliding switch is set forward to the “DC” position, a built-in 1-megohm resistor is placed in series with the probe tip and the input to the WV-98C. This resistor acts to isolate the instrument from the circuit under test when dc-voltage measurements are made and is a part of the over-all input resistance of the voltmeter. The switch should always be set to the “DC” position when dc-voltage measurements are made.

When the sliding switch is set to the rear of “AC-OHMS” position, the isolating resistor is shorted out and the signal or test voltage is fed directly from the probe tip to the input of the WV-98C. The switch should always be set to the “AC-OHMS” position when resistance or ac-voltage measurements are made.



**Preliminary Adjustments:**

To prepare the WV-98C for use, make the following connections and adjustments:

1. Connect the WG-299D DC/AC-OHMS Probe and Cable to the front-panel connector.
2. Plug the power cord into an ac outlet supplying 110-130 volts at 50-60 cps and adjust the controls as follows:
  - a. Set the function selector to "+DC VOLTS" and the range switch to the "1.5V" position. Allow a few minutes for the instrument to warm up.
  - b. Adjust the ZERO control to position the meter pointer at the left-hand zero on the scales.
  - c. Turn the function selector to "R OHMS". The pointer should deflect to approximately full scale.
  - d. Rotate the OHMS control to position the pointer at the last line on the "R" (ohms) scale.
  - e. Turn the function selector to the "AC" position. The pointer should deflect back to the left-hand zero. The instrument is now ready for use.

**Use of Range Switch and Meter Scales**

The meter scales on the WV-98C have been designed to provide ease of operation and quick readability over a wide range of measurements. Scales are grouped conveniently for the type of measurement for which they are used. The "R" scale, at the top of the scale plate, is used only for resistance measurements, and all resistance measurements are read from this one scale. All dc voltages are read from the two scales marked "A" and "B" in Figure 1. The six remaining scales are used only for ac-voltage measurements. The rms values of sine-wave voltages are also read from scales marked "A", "B", plus the two low AC scales, "E" and "G". The corresponding peak-to-peak values are read from scales marked "C", "D", "F", and "H". The particular scale which is used for any given function is determined by the setting of the range switch.

Table I has been prepared as an aid in selection of ranges, scales, and multiplying factors for all measurements which can be made with the WV-98C.

Because of the wide number of measurement ranges provided on the WV-98C, it is often possible to take voltage or resistance reading on two ranges and scales. For greatest accuracy in voltage measurements, always use the range which will provide an on-scale reading which is nearest to the full-scale point. For example, 48 dc volts can be read from either the 50-volt or the 150-volt range. Because the 50-volt range will provide a reading nearest the full-scale point, the 50-volt range only should be used

*(continued on page 12)*

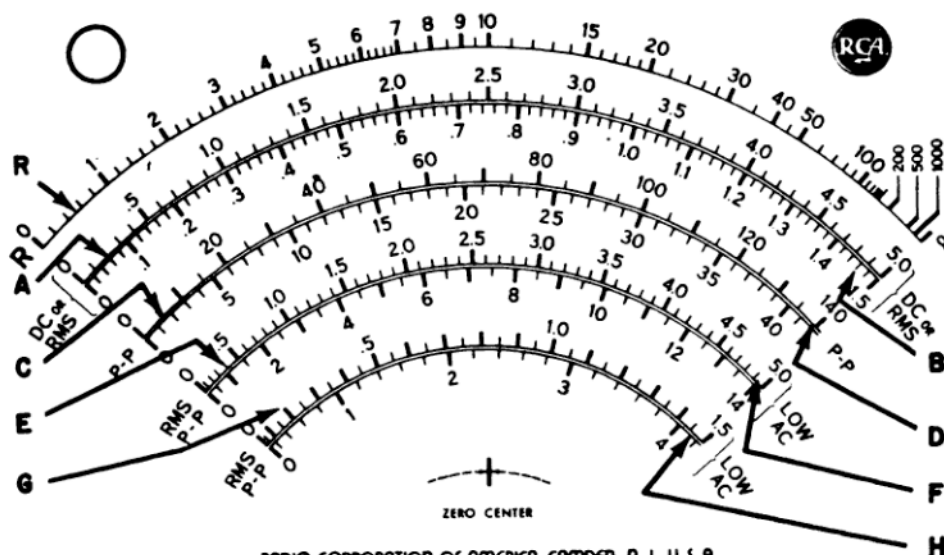


Figure 1. WV-98C meter scales

**TABLE 1**  
**RESISTANCE MEASUREMENTS**  
(Set Function switch to "R OHMS" and set WG-299D switch to "AC-OHMS".)

Resistance to be measured	Set Range Switch to:	Read from Scale	Multiply Reading by
0.2 to 1000Ω	R X 1	R	1
1000 to 10000Ω	R X 10	R	10
10000 to 100000Ω	R X 100	R	100
100000Ω to 1 MEG	R X 1000	R	1000
1 MEG to 10 MEG	R X 10K	R	10000
10 MEG to 100 MEG	R X 100K	R	100000
100 MEG to 1000 MEG	R X 1 MEG	R	1 MEG

**DC-VOLTAGE MEASUREMENTS**

(Set Function switch to "-DC VOLTS" or "+DC VOLTS" and set WG-299D switch to "DC".)

Voltage to be measured	Set Range Switch to:	Read from Scale	Multiply Reading by
0 to .5V	.5V DC	A	.1
.5 to 1.5V	1.5V	B	1
1.5V to 5V	5V	A	1
5 to 15V	15V	B	10
15 to 50V	50V	A	10
50 to 150V	150V	B	100
150 to 500V	500V	A	100
500 to 1500V	1500V	B	1000

## RCA Senior VoltOhmyst

### AC RMS VOLTAGE MEASUREMENTS

(Set Function switch to "AC" and set WG-299D switch to "AC-OHMS".)

RMS voltage to be measured	Set Range Switch to:	Read from Scale	Multiply Reading by	To get equivalent peak-to-peak-value:	
				Use Scale	Multiply by
0.1 to 1.5V	1.5V	G	1	H	1
1.5V to 5V	5V	E	1	F	1
5 to 15V	15V	B	10	D	1
15 to 50V	50V	A	10	C	1
50 to 150V	150V	B	100	D	10
150 to 500V	500V	A	100	C	10
500 to 1500V	1500V	B	1000	D	100

### AC PEAK-TO-PEAK VOLTAGE MEASUREMENTS

(Set Function switch to "AC" and set WG-299D switch to "AC-OHMS".)

Peak-to-peak voltage to be measured	Set Range Switch to:	Read from Scale	Multiply Reading by	To get equivalent RMS value:	
				Use Scale	Multiply by
0.2 to 4V	4.0V	H	1	C	1
4 to 14V	14V	F	1	E	1
14 to 40V	40V	D	1	B	10
40 to 140V	140V	C	1	A	10
140 to 400V	400V	D	10	B	100
400 to 1400V	1400V	C	10	A	100
1400 to 4200V	4000V	D	100	B	1000

### NULL INDICATIONS (DC VOLTS)

(See paragraph titled "Zero-Center Indication")

Voltage to be measured	Set Range Switch to:	Read from Scale	Multiply Reading by
-.75 to +.75V	1.5V	B	1
-2.5 to +2.5V	5V	A	1
-7.5 to +7.5V	15V	B	10
-25 to +25V	50V	A	10
-75 to +75V	150V	B	100
-250 to +250V	500V	A	100
-750 to +750V	1500V	B	1000

if a reading of best accuracy is to be obtained. This general rule applies to all ac- and dc-voltage ranges. For ohms measurements, however, the range selected should be the one which provides a reading nearest the center of the scale because the VoltOhmyst provides the most accurate readings at mid-scale points.

For some measurements it will be necessary to use a multiplying factor with the scale reading to obtain the correct reading. The required multiplier is indicated by the setting of the range switch. These ranges correspond to the full-scale values shown on the right side of the meter scales. For example, when the range switch is set to the 500-volt position for a dc-voltage measurement, the "A" scale (Figure 1) is used. Because this scale has a full scale value of "5", it is necessary to multiply any readings on this scale by 100 to obtain the correct value.

## **DC-Voltage Measurements**

**NOTE:** The sliding switch on the WG-299D should be set to "DC" for all dc-voltage measurements. Maximum input voltages must not be exceeded. See "Specifications" and "Safety Precautions".


The WV-98C has eight dc-voltage ranges: 0 to .5, 1.5, 5, 15, 50, 150, 500, and 1500 volts. Although the meter is protected against burn-out under ordinary overloads, it is good practice to make a trial measurement at a range setting higher than the voltage expected. Continued or repeated overloads may impair the accuracy of the movement. To measure dc voltages, proceed as follows:

1. Set the function selector to "+DC VOLTS" or to "-DC VOLTS", as required.
2. Connect the clip of the ground cable to the ground of the circuit under test.
3. Set the range selector to a range position higher than the voltage to be measured.
4. Touch or connect the probe tip to the high side of the source voltage.
5. Reset range selector to a position which gives a reading nearest to full scale.

**NOTE:** When the ".5V DC" position is used, remove the probe tip from the voltage being measured and re-set the ZERO control to position the meter pointer at the left-hand "0".

6. Read the dc voltage from the scale corresponding to the range selector setting.

Zero-center indication is frequently useful because it allows observation of either positive or negative dc-voltage excursions without the necessity of resetting the function selector.

1. Set the function selector to "+DC VOLTS".
2. Rotate the ZERO control to position the pointer at the center "", which is located near the bottom center of the meter dial. If the

ZERO control does not have sufficient range to center the pointer, switch the function selector to “-DC VOLTS”.

3. Set the range selector to a position at least twice the voltage to be measured.

4. After a test reading has been made, the range control may be set to the lowest position which allows the pointer to remain on the scale.

## Resistance Measurements

NOTE: The sliding switch on the WG-299D probe should always be set to “AC-OHMS” when resistance measurements are to be made.

CAUTION: The power should be removed from the equipment under test, and any capacitors should be discharged so that no voltages are present in them.

1. Set the function selector to the “R OHMS” position.
2. Set the range selector to the “R x 10” position.
3. Short the probe tip to the ground cable and adjust the ZERO control to position the pointer at the left-hand “0”, if necessary.
4. Separate the probe tip from the ground cable. The meter pointer should deflect to full scale. If the meter pointer does not deflect to exactly full scale, use the OHMS control to obtain full deflection.
5. Connect the clip of the ground cable to one terminal of the resistance to be measured.
6. Touch or connect the probe tip to the other terminal of the resistance to be measured.
7. Reset the range control to give a convenient deflection on the “R” (ohms) scale.

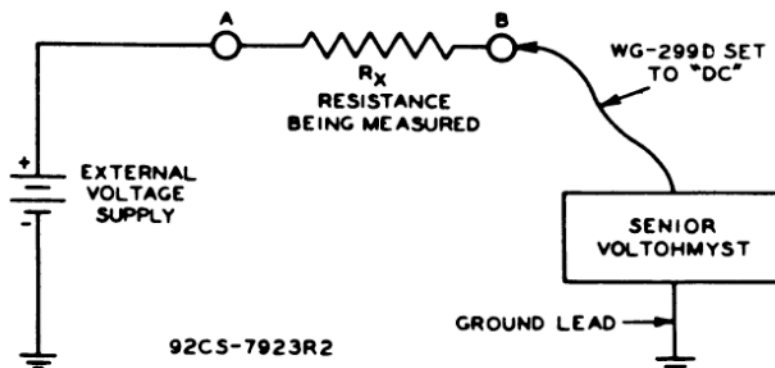


Figure 2. Circuit for resistance measurements above  
1000 megohms

8. Multiply the reading on the "R" scale by the factor indicated by the range control setting.

**CAUTION:** Low-current, low-resistance devices, such as thermocouples and meter movements, may be damaged unless a range higher than "R x 10" is used because the WV-98C applies up to 1.5 volts across the resistance under measurement when the range control is set at "R x 1" or "R x 10".

**Measurement of Resistance Values Above 1000 Megohms.**

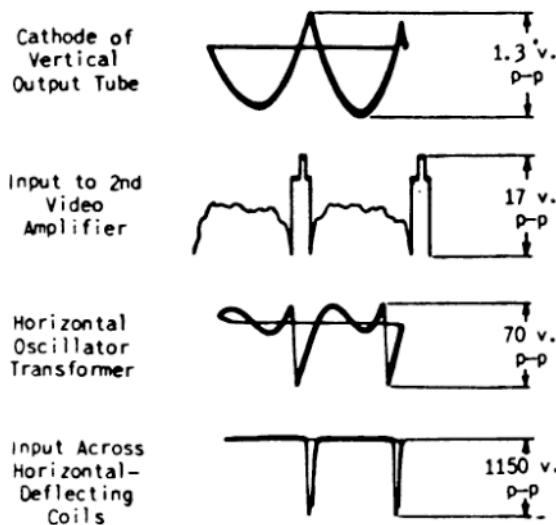
The leakage resistance of small mica and paper capacitors is usually above 1000 megohms. The circuit shown in Figure 2 can be used to measure resistance values above 1000 megohms. An external dc-voltage source between 20 and 500 volts is utilized to obtain a measurable pointer deflection. Make circuit connections as shown in Figure 2 and proceed as follows:

1. Set function selector to "+DC VOLTS" and measure the voltage at point B.
2. Measure the voltage at point A.
3. Compute the unknown resistance from the following formula:

$$R_x \text{ (megohms)} = \frac{11 [(\text{Volts at "A"}) - (\text{Volts at "B"})]}{(\text{Volts at "B"})}$$

**EXAMPLE:** The value of an unknown resistance is to be determined with the circuit of Figure 2. An external voltage of 500 volts is applied. The WV-98C measures 2.5 volts at "B", and 500 volts at "A". Then,

$$R_x = \frac{11 (500-2.5)}{2.5} = 2200 \text{ megohms (approx.)}$$



**Figure 3. Typical television waveforms**

## AC-Voltage Measurements

**CAUTION:** Maximum input voltages must not be exceeded. The accuracy of meter indications is dependent upon the frequency of the ac voltage being measured, the waveshape, repetition rate, and the impedance of the voltage source. See "Specifications", page 6, and the section below for additional information.

The switch on the WG-299D Probe should be set to "AC-OHMS" for all ac-voltage measurements.

1. Set the function selector to "AC".
2. Adjust the ZERO control if necessary to position the meter pointer at the left-hand "0".
3. Set the range control to a position considerably higher than the voltage to be measured.
4. Connect the ground cable to the ground side of the voltage to be measured.
5. Touch or connect the probe tip to the high side of the source voltage.
6. Reset the range control for a convenient deflection.
7. Read the ac voltage from the scale corresponding to the range control setting.

The meter scales of the WV-98C are calibrated in both rms and peak-to-peak voltages. Peak-to-peak voltage values are read from the red scales marked "P-P"; rms values of sine waves are read from the black scales marked "RMS".

**NOTE:** When it is desired to know which peak-to-peak scale is used, the indication is taken from the markings on the range-switch positions. Position 1, for example, is labeled "1.5V" and "4.0V". These figures correspond to the full-scale values of the corresponding rms and peak-to-peak scales. (Scales "F" and "K" in Figure 1.)

Examples of typical voltage waveforms found in television circuits are shown in Figure 3. Examples of other types of basic waveforms which can be measured by the WV-98C are shown in Figure 4.

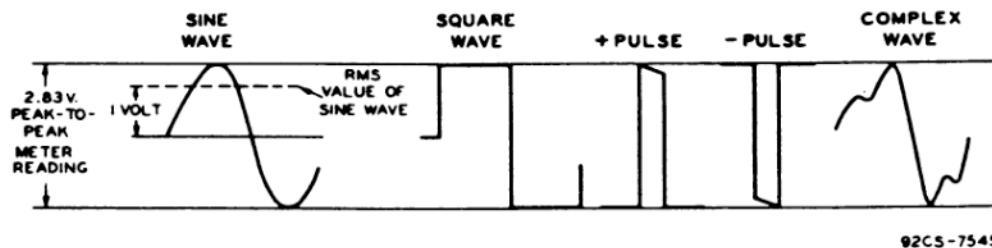
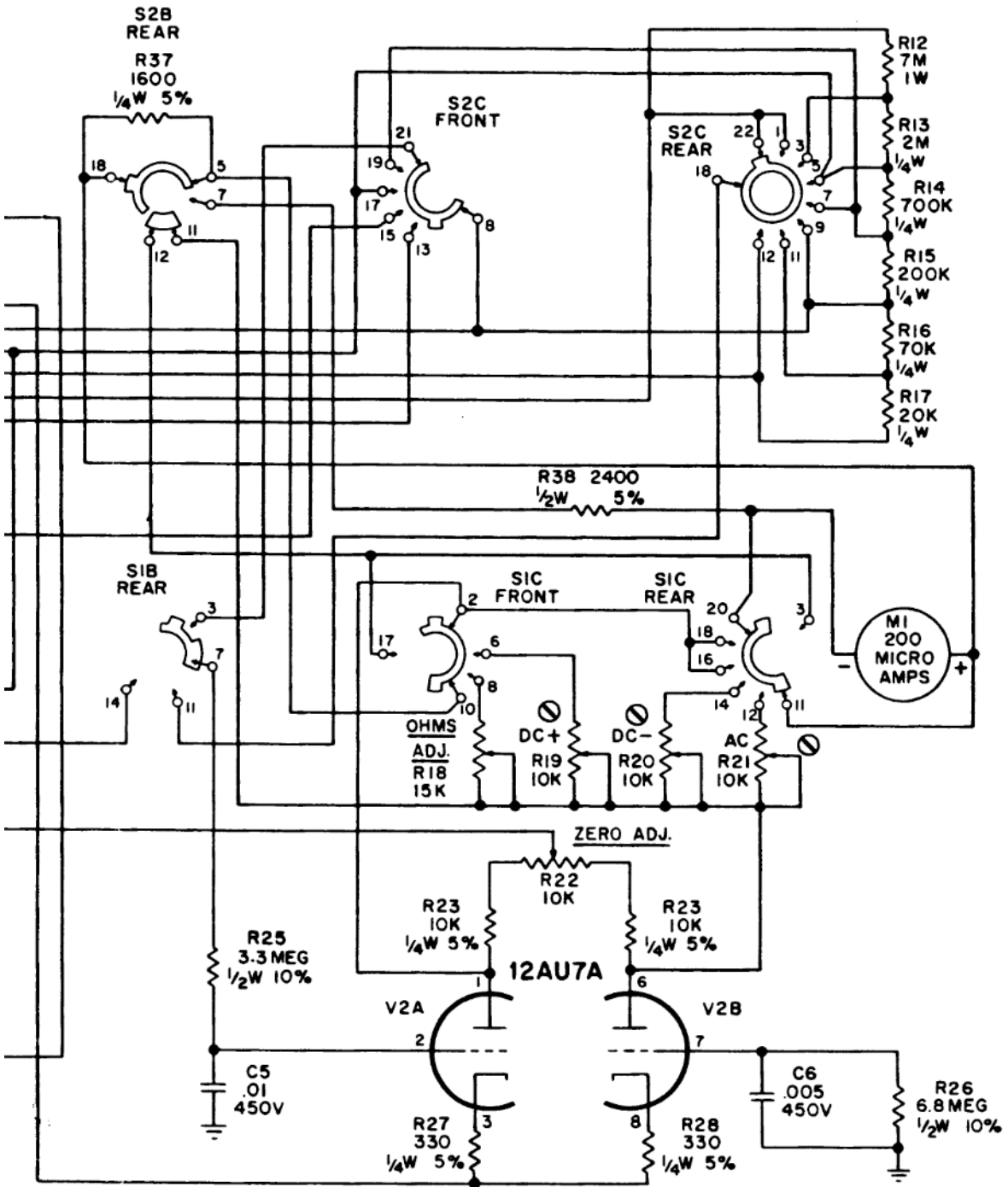


Figure 4. Typical voltage waveforms







gram of the WV-98C

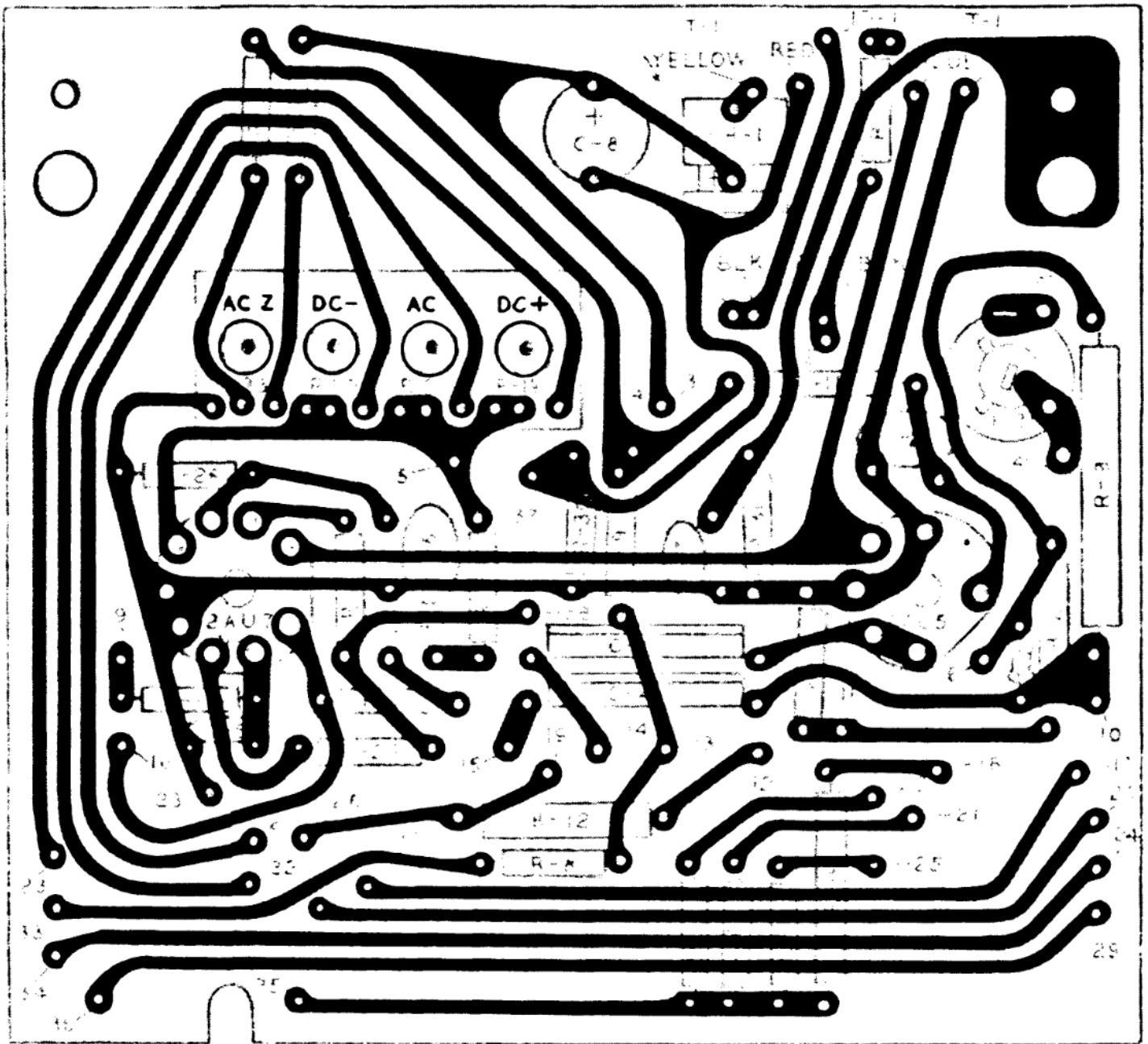


Figure 6. View of foil circuit of laminated board, showing components on opposite side

**Note:** In instruments with serial numbers between 76001 and 81000, R-35 is mounted on S-2, the range switch.

## RCA Senior VoltOhmyst

The instrument has a maximum rated input for non-symmetrical waveforms of 2000 peak-to-peak volts. Sine waves and symmetrical complex waves up to 4200 peak-to-peak volts can be measured with somewhat reduced frequency response. (See Maximum Input Voltages and Footnote under "Specifications".)

Reliable ac voltmeter readings can be assured only if the characteristics of the voltmeter are compatible with the characteristics of the circuit under test. When the WV-98C is used to measured ac voltages, the "Specifications" on page 6 should be considered. Information on input resistance and capacitance, frequency response, and pulse response is given.

It should be remembered that when the instrument is connected to any voltage source it may cause a loading effect on the circuit and result in a reduced voltage at the test point. When the instrument is not used in accordance with the conditions given under "Specifications", the normal operating voltages of the circuit may change, resulting in an erroneous reading of normal operating voltages.

When any voltmeter is used to measure ac voltages, certain precautions in the interpretation of readings are necessary because connection of the meter to the circuit may cause some disturbance. This is also true of the vacuum-tube voltmeter but its high input impedance minimizes such disturbances. The amount of circuit disturbance caused by the voltmeter is usually reflected in a decreased circuit voltage, the amount of decrease being dependent upon the characteristics of both the voltmeter and the test circuit.

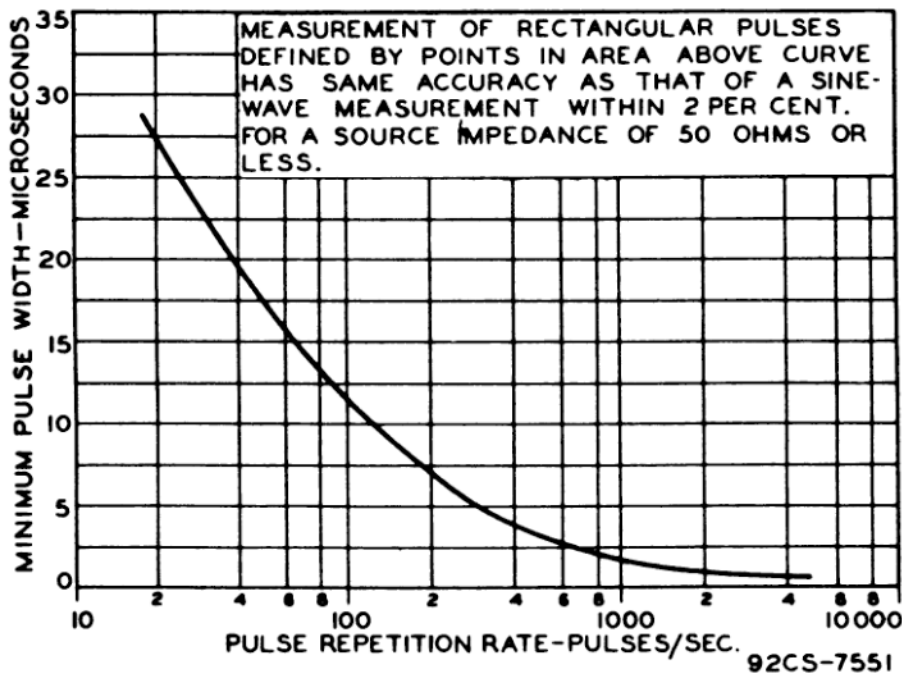


Figure 7. Pulse response capability of the WV-98C

For example, inaccurate readings of normal circuit conditions can be obtained from any one or a combination of the following conditions:

1. If measurements are made in high-impedance circuits, the instrument will cause loading of the circuit to a degree dependent upon the ratio of the circuit impedance to the voltmeter impedance. As this ratio increases, the loading effect of the voltmeter is increased with a corresponding change in the normal operating conditions of the circuit.
2. If the capacitance of the circuit is low in relation to the input capacitance of the voltmeter.
3. If the frequency of the source voltage is higher than the upper frequency rating of the voltmeter.
4. If the voltage waveform in the test circuit consists of narrow pulses with a low repetition rate.

The last of these four conditions needs careful consideration in order to interpret correctly the peak-to-peak readings of the Senior VoltOhmyst. The values of the circuit capacitors and resistors used in the peak-to-peak rectifier circuit of the WV-98C have been chosen to give a discharge time which will provide a reliable peak-to-peak reading over its specified frequency range. If pulses of extremely short duration are applied to the rectifier circuit, the capacitors may not charge to the peak-voltage value of the pulse. If pulses with a low repetition rate are applied to the rectifier circuit, the capacitors will dissipate an appreciable part of the charge by the time the next pulse is applied. As a result, the capacitors are not charged to the full peak-to-peak value of the voltage. Therefore, both the rms and peak-to-peak voltage indications will be lower than the true value of the applied voltage.

# Replacement Parts List

## WV-98C Senior VoltOhmyst

When ordering replacement parts, include the stock number and description of the part, as well as the serial number and code number of instrument. Parts should be ordered through a local RCA tube and parts distributor.

Symbol No.	Description	Stock No.	Symbol No.	Description	Stock No.
<b>Capacitors</b>			R30	Composition, 27K, 1/2W, 5%	
C1	Ceramic, Flat .05 $\mu$ f, 600V...	221435	R31	Composition, 1M, 1/2W, 10%	
C2	Ceramic Disc, .02 $\mu$ f, 450V..	99585	R32	Composition, 47K, 1/2W, 5%	
C3	Tubular Ceramic, 24 $\mu$ f, 500V	221450	R34	Composition, 180K, 1/2W, 10%	
C4	Ceramic, Flat, .1 $\mu$ f, 600V....	99321	R35	Variable 10K, 1/4W, 20%.....	224891
C5, C7	Ceramic Disc, .01 $\mu$ f, 450V..	73960	R36	Carbon Film, 8.2K, 1/2W, 5%	
C6	Ceramic Disc, .005 $\mu$ f, 450V..	212740	R37	Carbon Film, 1.6K, 1/2W, 5%	
C8	Electrolytic, 10 $\mu$ f, 200V.....	218002	R38	Carbon Film, 2.4K, 1/2W, 5%	
C9	Ceramic Tubular, 56 $\mu$ f, 500V	54797	R39	Composition, 1K, 1/2W, 10%	
<b>Resistors</b>			<b>Switches</b>		
R1	Carbon Film, 150K, 1/2W, 1%..	56483-A	S1	Switch Rotary (Function) 5 Positions, 3 Sections....	224892
R2	Carbon Film, 324K, 1/2W, 1%..	210105	S2	Switch Rotary (Range) 8 Positions, 3 Sections....	224893
R3	Carbon Film, 900K, 2W, 1%..	59536	<b>Miscellaneous</b>		
R4	Carbon Film, 9.75, 1W, 1%..	96613	SR1	Rectifier, Selenium, 30 ma, 130V .....	218022
R5	Carbon Film, 100, 1/2W, 1%..	214882	T1	Transformer, power .....	221337
R6	Carbon Film, 1K, 1/2W, 1%..	215169	M1	Meter .....	221340
R7	Carbon Film, 10K, 1/2W, 1%..	209648	J1	Connector, probe, w/hardware	210110
R8	Carbon Film 2.12M, 1/2W, 1%	94011	DS1	Lamp, neon .....	218017
R9	Carbon Film, 8.49M, 1/2W, 1%	94010		Board, Laminated Circuit....	227872
R10	Composition, 91M, 1/2W, 20%			Button-plug, for front panel..	215831
R11	Carbon Film, or Comp., 16M, 1/2W, 5%			Clip, Alligator .....	35262
R12	Carbon Film, 7M, 1W, 1%...	59538		Clip, battery .....	221436
R13	Carbon Film, 2M, 1/2W, 1%...	59540		Clip, pilot lamp.....	221343
R14	Carbon Film, 700K, 1/2W, 1%..	59541		Handle, black .....	210093
R15	Carbon Film, 200K, 1/2W, 1%..	56733		Insulator, black, for alligator clip .....	99539
R16	Carbon Film, 70K, 1/2W, 1%..	59542		Knob control, blue plastic, w/pointer .....	212148
R17	Carbon Film, 20K, 1/2W, 1%..	213657		Knob, black rubber.....	948782
R18	Variable, 15K, 1/4W, 20%.....	210100		Meter front, plastic.....	210287
R19, R20				Metal case, front.....	221346
R21, R33	Variable, 4-section, 10K, 1/4W	221336		Metal case, rear.....	221347
R22	Variable, 10K, 1/4W, 20%.....	210101		Panel .....	224890
R23, R24	Carbon Film, or Comp., 10K 1/2W, 5%			Probe and cable, DC-AC/Ohms	WG-299D
R25	Composition, 3.3M, 1/2W, 10%			Socket, tube, 7 pin min.....	221341
R26	Composition, 6.8M, 1/2W, 10%			Socket, tube, 9 pin min.....	221342
R27, R28	Carbon Film, or Comp., 330, 1/2W, 5%			Stud, handle mounting.....	221598
R20	Carbon Film, or Comp., 15K, 1/2W, 5%			"C" washer .....	78652
				Washer, fibre w/shoulder....	221812
				Washer, fibre flat.....	221813

## Special Applications

In addition to maintenance and service applications of the WV-98C in ac, dc, af, and pulsed electronic and electro-mechanical equipment, the instrument may be used with versatility in numerous special applications. The special applications described below will help to illustrate the wide range of usefulness of the instrument.

**Oscillator Grid-Bias Measurement.** The negative dc voltage developed at the grid of an oscillator tube is proportional to the amplitude of oscillation. The impedance of these circuits is usually high and any test instrument inserted into the oscillator must be of sufficiently high impedance so as not to change appreciably the total value of the circuit impedance. The WV-98C is well suited to measurements of this nature. To measure grid bias, the instrument should be set up on the appropriate dc-voltage range and the switch on the WG-299D Probe set to "DC".

Comparative voltage readings should be taken on each band of a multi-band receiver and the main tuning capacitor should be rotated through each band while the bias is being measured.

**AGC/AVC Voltage Measurements.** The WV-98C can be used to measure agc or avc voltage at the diode-load resistor, along the bias buses, or at the grids of the controlled tubes.

**Output Indication.** The Senior VoltOhmyst is a useful instrument for measuring output in the alignment of radio and television receivers. In these applications, the switch on the WG-299D Probe is set to "DC" and the probe connected to the load resistor of the second detector in AM and TV receivers while the circuit components are adjusted for optimum output. In an FM receiver, the probe is connected to the limiter load resistor. The zero-center feature of the WV-98C is particularly useful in alignment of FM discriminators.

**Bias-Cell Voltage Measurements** These small voltages can be measured accurately by the WV-98C. The voltage ranges 0 to .5, 0 to 1.5, and 0 to 5 volts provide easy-to-read indications of small voltages, an important feature where bias voltages are critical.

**Detection of Gassy Tubes.** Gassy tubes frequently may pass the check of an ordinary tube tester but cause improper functioning of equipment in which they are installed. The presence of gas in an output tube or avc-control tube, for example, can impair the function of the entire receiver. In an RC-coupled circuit, the presence of a positive voltage at the grid of a tube usually indicates a gassy tube or a defective coupling capacitor. Check the socket grid-pin voltage with the tube removed. If no positive voltage is present, the tube is probably defective.

**Insulation-Resistance Measurements.** Current leakage through the dielectric of capacitors and insulation of coils, transformers, cables, and other components can be measured with the WV-98C in terms of resistance. Values of leakage resistance above 1000 megohms can be measured with the circuit shown in Figure 2.

When resistance measurements are made, the probe of the WV-98C is always positive with respect to the ground cable. This arrangement facilitates the measurement of leakage resistance in components such as electrolytic capacitors where polarity must be observed.

**DBM Measurements.** The graph on page 23 can be used to determine dbm values corresponding to rms ac-voltage values across a 600-ohm resistive load. A dbm value is defined as the number of decibels above or below a reference level of 1 milliwatt in 600 ohms at 1000 cycles. Zero dbm, therefore, would indicate a power level of 1 milliwatt; 10 dbm, 10 milliwatts; and 20 dbm, 100 milliwatts.

The graph makes possible rapid conversion of rms voltages to corresponding dbm values. Associated power levels can be read along the top of the graph. If the rms voltage is measured across a resistive load other than 600 ohms, the correction factors given below must be added algebraically to the dbm values read from the graph in Figure 9. For resistive loads not given in the table, the following formula should be used for determining the correction factor:

$$\text{Correction Factor} = 10 \log \frac{600}{R}$$

where R is the load in ohms. If R is greater than 600 ohms, the correction factor is negative.

Because dbm are defined with respect to a 600-ohm load, power levels correspond to voltage values. DBM can be measured in terms of rms voltages across a 600-ohm resistive load. For example, 0.775 rms volt indicates 0 dbm 7.75 rms volts indicate 20 dbm. While these measurements must be made with a sine waveform to avoid waveform error, any frequency can be used which is within the range of the WV-98C. The decibel and ear-response curves have their closest correlation at 1000 cycles.

Resistive Load at 1000 cps	DBM*
600	0
500	+0.8
300	+3.0
250	+3.8
150	+6.0
50	+10.8
15	+16.0
8	+18.8
3.2	+22.7

\* DBM is the increment to be added algebraically to the dbm value read from Figure 9.

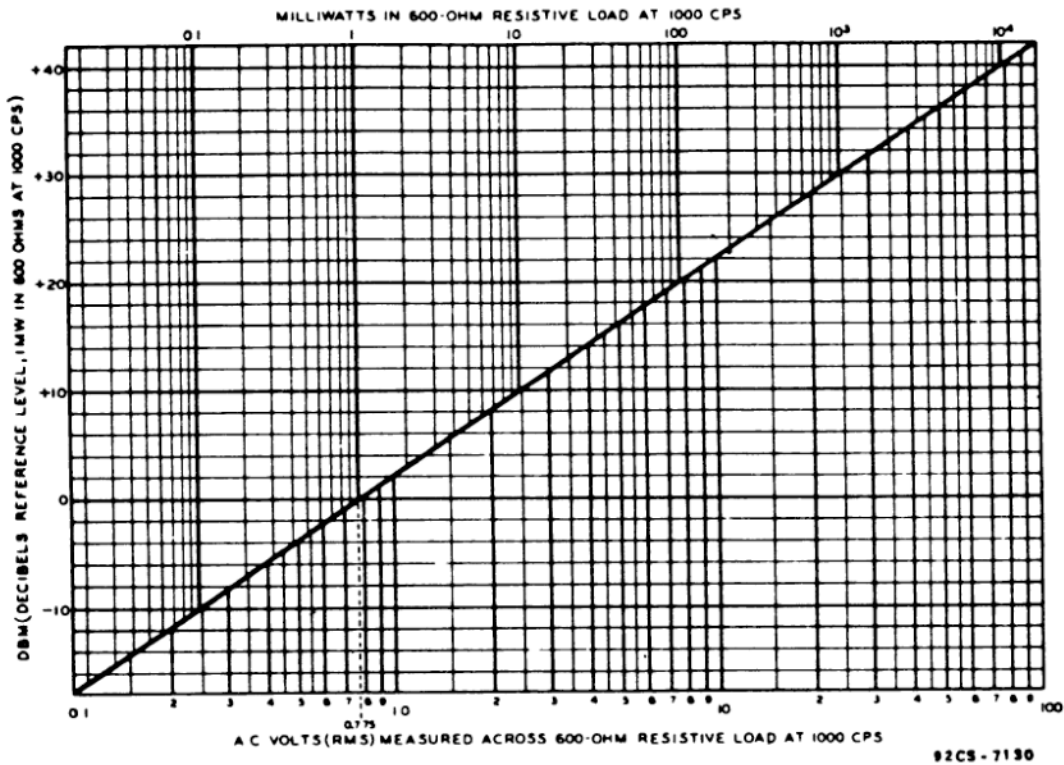


Figure 8. Graph for conversion of rms voltages to dbm values

## Accessories

### Available on Separate Order

The RCA WG-301A Crystal-Diode Probe may be used with the Senior VoltOhmyst to extend the frequency range to 250 megacycles. This probe consists of a germanium rectifier and an RC network in a polystyrene housing. The probe, which slips onto the front of the WG-299D Probe and Cable, eliminates the need for an extra cable.

The WG-301A may be used in rf circuits to measure sine-wave voltage values up to 20 rms volts in the presence of dc voltage as high as 250 volts. The over-all frequency range of the probe is from 50 Kc to 250 Mc. All rf voltages are read from the dc scales in terms of rms volts for sine waves. For example: A reading of 5 volts dc indicates that the sine wave being measured has an rms value of 5 volts. The all-over accuracy of the WV-98B when used with the WG-301A is  $\pm 10\%$ .

The RCA WG-289 High Voltage Probe may be used to measure DC voltages as high as 50,000 volts. The probe uses the WG-206 Multiplier Resistor, having a value of 1090 megohms, to present an over-all voltmeter



input resistance of 1100 megohms. With a multiplying factor of 100, the Senior VoltOhmyst provides six full-scale positions of 150, 500, 1500, 5000, 15,000, and 50,000 volts. Do not measure voltages higher than 50,000 volts, because the maximum voltage rating of the probe may be exceeded. The extremely high impedance of the WG-289 is especially desirable when it is necessary to measure voltages found in phototubes, Geiger-Counter tubes, television, and other high-impedance circuits which would not function properly if loaded down by a low-impedance voltmeter.

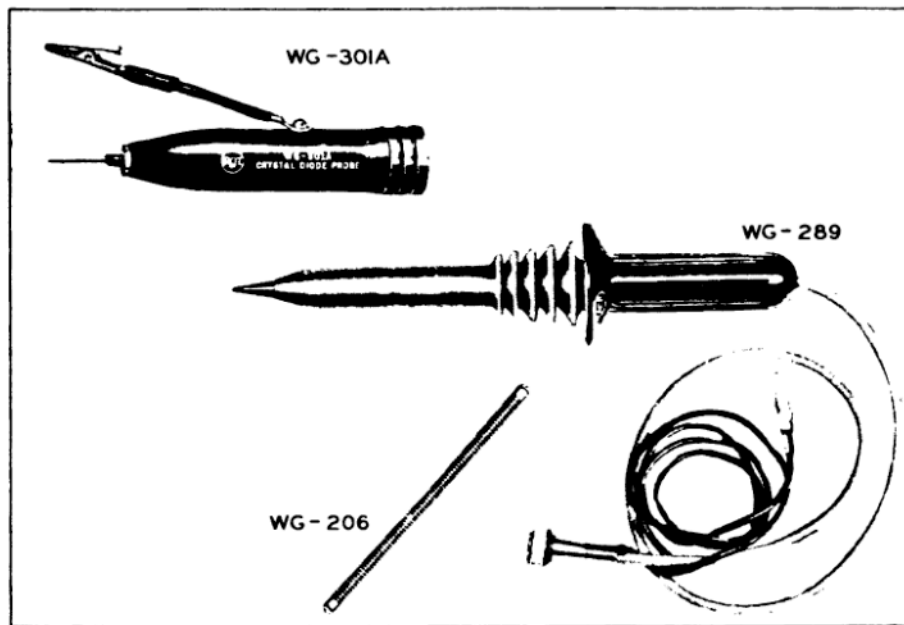


Figure 9. Accessories available on separate order

The WG-289 High-Voltage Probe offers distinct advantages in high-voltage circuits as well as low-voltage circuits characterized by high impedance or poor regulation.

## Circuit Description

The operation of the Senior VoltOhmyst centers around a vacuum-tube bridge circuit using an RCA 12AU7A twin-triode. (See schematic diagram, page 16.) When this bridge is properly balanced the voltages at the two plates will be equal and the 200-microampere meter, connected between the plates, will read zero.

When a positive voltage is applied to the grid of triode section V2A, the current through the left half of the bridge is increased, causing the voltage at the plate of this section to decrease. This current also flows through the common cathode resistor, increasing the voltage drop across it, and biasing the grid of triode section V2B in a negative direction. This causes a voltage increase at the plate of triode section V2B. The difference in potential across the meter causes current to flow through the meter from the plate of section V2B to the plate of section V2A.

When the WV-98C is used to measure ac voltage, the voltage is first rectified by an RCA-6AL5 twin-diode which serves as a full-wave peak-to-peak rectifier. This tube, shown as V 1 on the schematic diagram, has associated components chosen to give the circuit a long time constant. When the ac signal swings negative, C 1 is charged through the left-hand diode section to the negative peak value of the voltage. As the voltage starts in a positive direction, this diode section becomes nonconducting and the charge on C 1 is prevented from discharging. As the ac signal swings positive, the positive peak is added in series with the charge on C 1 and is applied to the plate of the right-hand diode section. C 2 charges to a value equal to the sum of the positive and negative peaks. Because of the relatively long time constant of the circuit, the voltage across C 2 will be maintained at the peak-to-peak value of the applied ac voltage. A portion of this voltage is then applied as a dc voltage to the grid of triode section V2A of the 12AU7A bridge tube and the circuit action is the same as described above.

When the instrument is set up to measure resistance, ac voltage, or dc voltage, the meter is isolated from the source voltage by the 12AU7A bridge tube, as shown in the schematic diagram. This current limitation provided by the 12AU7A and its associated components decreases the danger of overloading the meter.

# Maintenance

(See "Safety Precautions", page 4)

The WV-98C Senior VoltOhmyst is manufactured, tested, and calibrated under strict engineering supervision. If the instrument should require adjustment or repairs, the procedures outlined below should be followed.

The schematic diagram of the WV-98C is shown in Figure 5. If it becomes necessary to replace any of the component parts, only RCA replacement parts or their equivalents should be used. Replacement parts should be ordered from a local RCA tube and parts distributor and the code and serial numbers of the instrument, as well as the stock number of the replacement parts, should be specified in the order. Stock numbers and descriptions should be obtained from the Replacement Parts List on page 20.

## Mechanical Zero Adjustment:

The meter pointer should rest at the left-hand zero mark when the function selector is turned to the "OFF" position. If the pointer should come to rest at a deflected position, the position may be corrected mechanically as follows:

1. Remove the meter-adjustment hole cover.

CAUTION: Extreme care must be taken in the next step to prevent insertion of the tool to a depth which will injure the pointer spring. The meter warranty does not cover such damage.

2. Insert a scribe or similar tool to engage the zero-adjustment lever, and move the lever laterally as required to bring the pointer to "0".
3. Replace the meter-adjustment plug.

## Electrical Balance Check:

1. Set the function selector to "+DC VOLTS" and allow the WV-98C to warm up for 15 minutes.
2. Rotate the ZERO ADJ control. It should be possible to set the meter pointer at either zero or 60% of full-scale deflection on any range.
3. Set the SELECTOR control to "-DC VOLTS".
4. Rotate the ZERO ADJ control. It should be possible to set the meter pointer at either zero or 10% of full-scale deflection on any range.

5. If the conditions given in steps 2 and 4 above cannot be satisfied, there is an unbalance between the two triode sections of the 12AU7A bridge tube and it should be replaced. See the section on Tube Replacement below.

### **Calibration**

The calibrating controls are located on the rear of the laminated circuit board. Each control is marked as to its function.

The calibration of the WV-98C should be checked after any internal adjustments are made or after any of the component parts are replaced. If recalibration is necessary, the instrument should first be recalibrated on dc voltage as follows:

**NOTE:** The accuracy of calibration cannot exceed the accuracy of the standards employed.

#### **DC-Voltage Calibration:**

1. Check the mechanical zero position of the pointer. If necessary, zero the pointer as described above.
2. Turn the function selector to "+DC VOLTS" and allow the WV-98C to warm up for at least 30 minutes.
3. Check the line voltage. The WV-98C should be calibrated with the power cord connected to a 120 volt, 60 cycle line source.
4. Rotate the ZERO ADJ control to bring the pointer exactly to zero.
5. Set the range switch at "50V".
6. Connect the Ground Cable clip to the negative terminal of a dc voltage source supplying exactly 50 volts. The switch on the WG-299D should be set to "DC". Connect the probe to the positive terminal of the source voltage.
7. With a screwdriver, adjust the "+DC CAL" potentiometer R19 to bring the pointer exactly to the full-scale "5.0" mark on the 0 to 5.0 DC scale.
8. Reverse the test lead connections at the voltage source.
9. Set the function selector to "-VOLTS".
10. With a screwdriver, adjust the "DC-" potentiometer R20 to bring the pointer exactly to the 50-volt mark on the scale.
11. Check the 1.5V, 5V, 15V, 150V, 500V, and 1500V dc ranges against other dc sources of known accuracy which provide full-scale deflection.
12. Set the range switch to the ".5V DC" position. Touch the probe tip to the ground clip and re-set the ZERO ADJ control so that the meter pointer rests on "0".
13. Connect the probe and ground clip to a dc voltage source supplying exactly .5 volts.
14. With a screwdriver, adjust potentiometer R-35 to bring the meter pointer to the full-scale "5.0" mark on the 0 to 5.0 DC scale.

### **AC-Voltage Calibration:**

To calibrate for ac voltage, proceed as follows:

1. Set the switch on the WG-299D to "AC-OHMS".
2. Set the function selector to "AC VOLTS".
3. Set the range selector to "1.5 VOLTS".
4. Short the WG-299D probe to the ground clip and adjust the "AC Z" potentiometer, R33 so that the pointer rests exactly at zero. If a zero meter reading cannot be obtained, replace the 6AL5. See "Tube Replacement", below.
5. Set the range control to "50V".
6. Apply 50 volts, 60 cps between the ground lead and the tip of the probe. The meter reading should be within  $\pm 3\%$ . If the accuracy is not within this figure, adjust the "AC" control, R21, to give full scale deflection of the meter pointer.

### **Ohms Adjustment**

NOTE: The battery must be installed for all resistance measurements.

1. Set the function selector to "+VOLTS" and make certain the pointer is at zero.
2. Turn the function selector to the "OHMS" position.
3. Set the range control to "RX1".
4. Adjust the OHMS ADJ control for full-scale deflection.
5. Turn the range switch to the "RXIMEG" position. The meter pointer should read above 1000 on the resistance scale. If the pointer indicates a lower value, there is excessive leakage in the ohmmeter circuit.

If it is necessary to readjust the OHMS ADJ control when changing from a low-range position to the "RXIMEG" position, refer to the section on Tube Replacement below. If it is impossible to obtain full-scale setting of the pointer with the OHMS ADJ control and correct ac and dc voltage readings can be obtained, the battery should be replaced.

### **Tube Replacement**

All tubes supplied originally with WV-98C have been thoroughly aged by operating them for several hours before installation in the instrument. This preliminary conditioning of a new tube helps to insure stability and dependable performance.

If a new tube is installed without prior aging, it may be necessary to rezero the instrument when it is switched from the lowest to the highest dc-voltage range. This operating inconvenience may be corrected by aging the tube as follows.

A suggested preaging method for the 12AU7A is to operate the plates at 115 volts dc with the grids and cathodes connected to the B- source. Heaters should be operated at 6.3 volts, 60 cps. The tube should be aged

## **RCA Senior VoltOhmyst**

for approximately 12 hours before it is installed in the instrument. The calibration should then be checked.

An alternate, and usually satisfactory, aging procedure consists of operating the new tube in the WV-98C for approximately 36 hours, after which time the instrument may be recalibrated. If this procedure is unsatisfactory, the first aging procedure should be followed.

If it becomes necessary to replace the 6AL5, the tube can be aged for a minimum period of 36 hours by operating it in the instrument. After this period of time, the calibration should be checked according to the procedure outlined under "AC Calibration Check".

### **Battery Testing**

**CAUTION:** Do not allow exhausted cells to remain inside the case of the WV-98C as chemicals from deteriorated cells may damage the instrument.

The battery should be tested frequently to insure accuracy of resistance measurements. It may be tested as follows.

1. Turn function selector to "OHMS".
2. Set range control to "RX1" position.
3. Rotate the OHMS ADJ control to bring the pointer to full-scale deflection.
4. Short the Ohms Cable to the Ground Cable for about 10 seconds.
5. Open the short circuit and observe the scale indication. Any appreciable deviation from full-scale deflection indicates weak cells which should be replaced.

### **RCA Repair Service**

RCA maintains a complete repair service for the adjustment, calibration and maintenance of RCA test equipment. If it becomes necessary to service this equipment, fill out one of the Test Equipment Service order forms supplied with the instrument. It is important that:

1. Test equipment be packed carefully. The instrument should be double-packed. It is best to pack the unit in its original carton, or similar container, then "float" this carton in at least a 3-inch layer of shredded paper inside the outer carton.
2. A full description of the trouble be included in the report.
3. All probes, cables, and test leads used with the equipment be included in the shipment.

Attention to these details will help prevent damage in transit and delay in repairs.